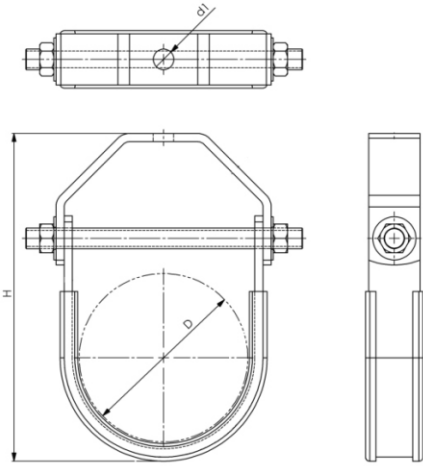




CLEVIS HANGER WITH RUBBER LINING



FEATURES AND BENEFITS.

Description:-	<ul style="list-style-type: none"> * Design permits vertical adjustment of pipe after installation. * Designed for chilled water pipe work and fire fighting systems. * Hanger load nut above clevis must be tightened securely to ensure proper hanger performance. * Temperature resistance from -20°C to + 110°C. * Noise reduction up to 18 dB (A).
Material:-	Steel, other materials on request.
Special:-	<ul style="list-style-type: none"> * Electro galvanized as per ASTM B 633. * Designed to meet MSS standard SP-58, type 1 and SP-69.

Product Code	Nominal Pipe Size		Pipe OD (D) mm	Height (H) mm	Top Hole Dia (d1) mm	Hanger Rod Size (mm)	Cross Bolt Dia. (CRD)	Max Load (N)	Microns (μ)	Box Quantity
	In.	mm								
HGEPCHR022	½"	DN15	21.3	80.0	11	M10	M8	4000	8-15	300
HGEPCHR027	¾"	DN20	26.7	85.0	11	M10	M8	4000	8-15	300
HGEPCHR034	1"	DN25	33.4	99.0	11	M10	M8	4000	8-15	250
HGEPCHR042	1 ¼"	DN32	42.1	107.0	11	M10	M8	4000	8-15	150
HGEPCHR048	1 ½"	DN40	48.2	109.0	11	M10	M8	4000	8-15	150
HGEPCHR060	2"	DN50	60.3	128.0	11	M10	M8	4000	8-15	100
HGEPCHR073	2 ½"	DN65	73	158.0	13	M12	M10	6500	8-15	60
HGEPCHR090	3"	DN80	88.9	171.0	13	M12	M10	6500	8-15	40
HGEPCHR101	3 ½"	DN90	101.6	179.0	13	M12	M10	6500	8-15	30
HGEPCHR114	4"	DN100	114.3	204.0	13	M12	M10	8000	8-15	25
HGEPCHR141	5"	DN125	141.3	235.0	17	M16	M12	8000	8-15	15
HGEPCHR168	6"	DN150	168.3	265.0	17	M16	M12	11000	8-15	12
HGEPCHR219	8"	DN200	219.1	333.0	17	M16	M12	11000	8-15	6
HGEPCHR273	10"	DN250	273.1	390.0	21	M20	M16	15000	8-15	5
HGEPCHR323	12"	DN300	323.8	465.0	21	M20	M16	15000	8-15	5
HGEPCHR355	14"	DN350	355.6	525.0	21	M20	M20	17500	8-15	3
HGEPCHR406	16"	DN400	406.4	575.0	25	M24	M24	17500	8-15	2
HGEPCHR457	18"	DN450	457.2	650.0	25	M24	M24	17500	8-15	2
HGEPCHR508	20"	DN500	508	705.0	32	M30	M24	22000	8-15	1
HGEPCHR610	24"	DN600	609.6	815.0	32	M30	M24	27000	8-15	1
HGEPCHR762	30"	DN750	762	1000.0	32	M30	M24	30000	8-15	1

NOTE:- 1. THE CROSS BOLT AND HANGER ROD SIZE CAN BE CHANGED UPON REQUEST.
2. THE SIZES OF CLEVIS HANGER ABOVE 8" WILL BE PROVIDED IN HDPE BAGS.

