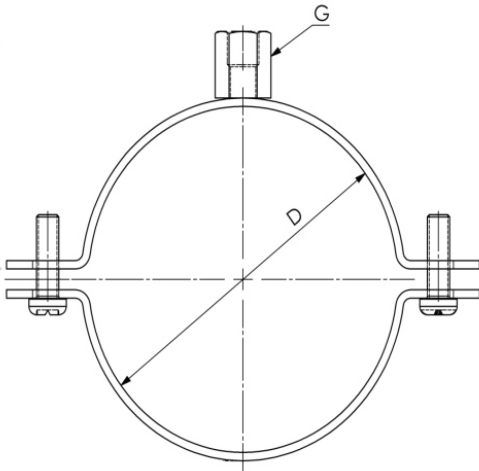




## NUT CLAMP / SPLIT CLAMP



### FEATURES AND BENEFITS.

<b>Description:-</b>	<ul style="list-style-type: none"> <li>* Lock bolts with combi cross recessed head.</li> <li>* For horizontal and vertical applications.</li> <li>* Profiled for extra strength.</li> </ul>
<b>Material:-</b>	MildSteel, Stainless Steel, Aluminum, other materials on request.
<b>Special:-</b>	<ul style="list-style-type: none"> <li>* Electro galvanized as per ASTM 633.</li> <li>* Galvanized ASTM A 123 / A 123M.</li> </ul>

Product Code	Nominal Pipe Size In.	PIPE OD mm	PIPE OD (mm)	Range (mm)	Top Nut (G)	Side Screw Size	Max Load (N)	Box Quantity
HGEPNC018	3/8"	DN10	17.1	1519	M8 X M10	M6	1500	600
HGEPNC022	1/2"	DN15	21.3	2025	M8 X M10	M6	1500	500
HGEPNC027	3/4"	DN20	26.7	2630	M8 X M10	M6	1500	400
HGEPNC034	1"	DN25	33.4	3236	M8 X M10	M6	1500	350
HGEPNC042	1 1/4"	DN32	42.1	3843	M8 X M10	M6	1500	300
HGEPNC048	1 1/2"	DN40	48.2	4751	M8 X M10	M6	1500	250
HGEPNC054	----	----	54	5358	M8 X M10	M6	1500	250
HGEPNC060	2"	DN50	60.3	6064	M8 X M10	M6	1500	225
HGEPNC063	----	----	63	6366	M8 X M10	M6	2000	225
HGEPNC070	----	----	70	68-72	M8 X M10	M6	2000	200
HGEPNC073	2 1/2"	DN65	73	7480	M8 X M10	M6	2000	200
HGEPNC083	----	----	83	8186	M8 X M10	M6	2000	200
HGEPNC090	3"	DN80	88.9	8792	M8 X M10	M6	2000	150
HGEPNC101	3 1/2"	DN90	101.6	99105	M8 X M10	M6	2000	150
HGEPNC110	----	----	110	107112	M8 X M10	M6	2000	150
HGEPNC114	4"	DN100	114.3	113118	M8 X M10	M6	2500	125
HGEPNC125	----	----	125	125130	M8 X M10	M6	2500	125
HGEPNC141	5"	DN125	141.3	138142	M8 X M10	M6	2500	100
HGEPNC150	----	----	150	148153	M8 X M10	M6	2500	100
HGEPNC160	----	----	160	159166	M8 X M10	M6	2500	75
HGEPNC168	6"	DN150	168.3	168172	M8 X M10	M6	2500	75
HGEPNC219	8"	DN200	219.1	215220	M8 X M10	M8	3000	50
HGEPNC273	10"	DN250	273	269274	M8 X M10	M8	3000	30
HGEPNC323	12"	DN300	323.8	313318	M8 X M10	M8	3000	20

- NOTE:-**
1. TOP NUT IS AS PER CUSTOMERS REQUIREMENT WE PROVIDE M8X10 DUAL NUT, WE CAN ALSO PROVIDE IN HEX NUTS AND ALSO LONG HEX NUTS.
  2. WE PROVIDE EXTENDED THREADS FOR SIDE SCREW WHICH GIVES MORE STRENGTH AND CHANCES OF SLIPPAGE AT LOAD IS ZERO.
  3. WE PROVIDE SIDE SCREW WITH NUT ON REQUEST.

