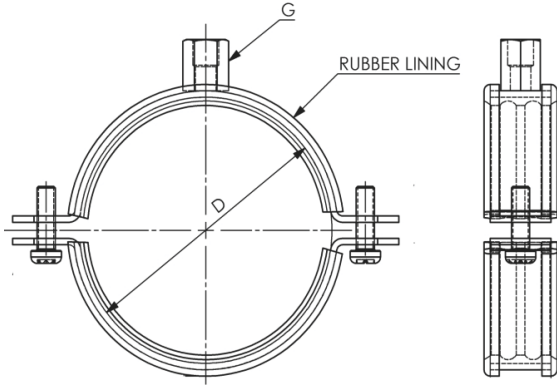




NUT CLAMP / SPLIT CLAMP WITH RUBBER



FEATURES AND BENEFITS.

Description:-	<ul style="list-style-type: none"> * Lock bolts with combi cross recessed head. * For horizontal and vertical applications. * Profiled for extra strength
Material:-	Mild Steel, Stainless Steel, Aluminum, other materials on request.
Special:-	<ul style="list-style-type: none"> * Electro galvanized as per ASTM B 633. * Galvanized ASTM A 123 / A 123M. * Temperature resistance from - 20 °C to +100 °C. * Noise reduction up to 18 dB (A)

Product Code	Nominal Pipe Size In.	PIPE OD mm	PIPE OD (mm)	Range (mm)	TopNut (G)	SideScrew Size	MaxLoad (N)	Box Quantity
HGEPNCR018	3/8"	DN10	17.1	15-19	M8 X M10	M6	1500	500
HGEPNCR022	1/2"	DN15	21.3	20-25	M8 X M10	M6	1500	400
HGEPNCR027	3/4"	DN20	26.7	26-30	M8 X M10	M6	1500	350
HGEPNCR034	1"	DN25	33.4	32-36	M8 X M10	M6	1500	300
HGEPNCR042	1 1/4"	DN32	42.1	38-43	M8 X M10	M6	1500	250
HGEPNCR048	1 1/2"	DN40	48.2	47-51	M8 X M10	M6	1500	225
HGEPNCR054	----	----	54	53-58	M8 X M10	M6	1500	160
HGEPNCR060	2"	DN50	60.3	60-64	M8 X M10	M6	1500	160
HGEPNCR063	----	----	63	63-66	M8 X M10	M6	2000	160
HGEPNCR070	----	----	70	68-72	M8 X M10	M6	2000	150
HGEPNCR073	2 1/2"	DN65	73	74-80	M8 X M10	M6	2000	150
HGEPNCR083	----	----	83	81-86	M8 X M10	M6	2000	125
HGEPNCR090	3"	DN80	88.9	87-92	M8 X M10	M6	2000	120
HGEPNCR101	3 1/2"	DN90	101.6	99-105	M8 X M10	M6	2000	110
HGEPNCR110	----	----	110	107-112	M8 X M10	M6	2000	100
HGEPNCR114	4"	DN100	114.3	113-118	M8 X M10	M6	2500	100
HGEPNCR125	----	----	125	125-130	M8 X M10	M6	2500	75
HGEPNCR133	----	----	133	131-137	M8 X M10	M6	2500	75
HGEPNCR141	5"	DN125	141.3	138-142	M8 X M10	M6	2500	60
HGEPNCR150	----	----	150	148-153	M8 X M10	M6	2500	60
HGEPNCR160	----	----	160	159-166	M8 X M10	M6	2500	60
HGEPNCR168	6"	DN150	168.3	168-172	M8 X M10	M6	2500	60
HGEPNCR219	8"	DN200	219.1	215-220	M8 X M10	M8	3000	40
HGEPNCR273	10"	DN250	273	269-274	M8 X M10	M8	3000	20
HGEPNCR323	12"	DN300	323.8	313-318	M8 X M10	M8	3000	10

- NOTE:-**
1. TOP NUT IS AS PER CUSTOMERS REQUIREMENT WE PROVIDE M8X10 DUAL NUT, WE CAN ALSO PROVIDE IN HEX NUTS AND ALSO LONG HEX NUTS.
 2. WE PROVIDE EXTENDED THREADS FOR SIDE SCREW WHICH GIVES MORE STRENGTH AND CHANCES OF SLIPPAGE AT LOAD IS ZERO.
 3. WE PROVIDE SIDE SCREW WITH NUT ON REQUEST.
 4. a. EP - MICRONS : 8μ - 15μ
b. HDG - MICRONS : 70μ - 95μ

