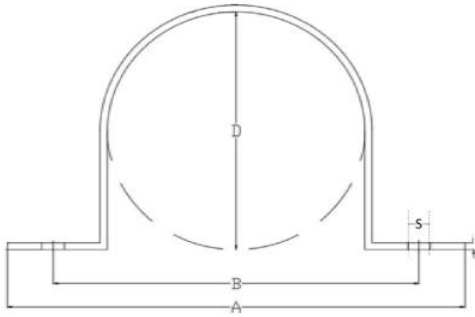




U STRAP FOR RSI19 MM INSULATION THICKNESS



FEATURES AND BENEFITS.

<b>Description:-</b>	<ul style="list-style-type: none"> <li>* For mounting plain or insulated pipes.</li> <li>* Can be used with Rubber Support Inserts.</li> <li>* Slotted hole same as used u strap.</li> </ul>
<b>Material:-</b>	Steel, other materials on request.
<b>Special:-</b>	<ul style="list-style-type: none"> <li>* Galvanized as per ASTM A 123 / A 123M.</li> <li>* Designed to meet MSS Standard SP-58, type 26 and SP-69.</li> </ul>

Product Code	RSI Size	RSI OD mm	U Strap Size mm	Overall Dimension (A) mm	Distance Between Two Bolt (B) mm	Hole Size (S) mm	Max Load (N)	Microns (μ)	Box Quantity
HGHGUS064	¾" X 19 mm	64.7	64	114	89	11	6000	70 - 95	200
HGHGUS072	1" X 19 mm	71.4	72	122	97	11	6000	8 -15	200
HGHGUS080	1 ¼" X 19 mm	80.1	80	130	105	11	6000	8 -15	150
HGHGUS086	1 ½" X 19 mm	86.2	86	136	111	11	6000	8 -15	150
HGHGUS98	2" X 19 mm	98.3	98	148	123	11	6000	8 -15	150
HGHGUS111	2 ½" X 19 mm	111	111	161	136	11	6000	8 -15	150
HGHGUS127	3" X 19 mm	126.9	127	177	152	11	6000	8 -15	125
HGHGUS139	3 1/2" X 19 mm	139	139	189	164	11	6000	8 -15	100
HGHGUS152	4" X 19 mm	152	152	202	177	11	8000	8 -15	75
HGHGUS179	5" X 19 mm	179	179	239	209	11	8000	8 -15	75
HGHGUS206	6" X 19 mm	206.3	206	266	236	11	8000	8 -15	50
HGHGUS257	8" X 19 mm	257.1	257	317	287	11	12500	8 -15	50
HGHGUS311	10" X 19 mm	311.1	311	381	346	13	12500	8 -15	5
HGHGUS361	12" X 19 mm	361	361	431	396	13	18000	70 - 95	5

NOTE:- 1. OTHER DIMENSIONS AVAILABLE ON REQUEST.