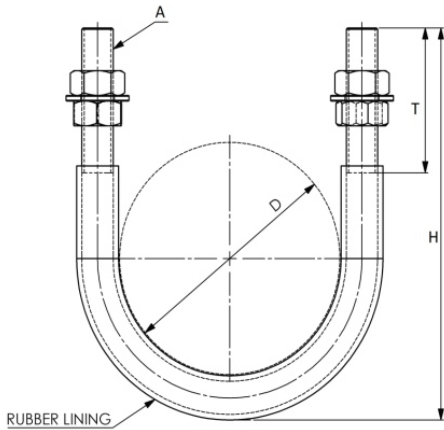




U BOLT WITH RUBBER LINING



FEATURES AND BENEFITS.

Description:-	<ul style="list-style-type: none"> * High load capacity due to one piece design. * Special U bolts with longer tangents and threads available on request.
Material:-	Steel, other materials on request.
Special:-	<ul style="list-style-type: none"> * Electro galvanized as per ASTM B 633. * Designed to meet MSS Standard SP-58, type 24 and SP-69. * Temperature resistance from -20 °C to +110 °C. * Noise insulating lining, EPDM, black.

Product Code	Nominal Pipe Size		Pipe OD (D) mm	Rod Size (A) mm	Height (H) mm	Thread Length (T) mm	Max Load (N)	Microns (μ)	Box Quantity
	In.	mm							
HGEPUBR022	½"	DN15	21.3	M10	65	50	6000	8 -15	400
HGEPUBR027	¾"	DN20	26.7	M10	77	50	6000	8 -15	350
HGEPUBR034	1"	DN25	33.4	M10	85	50	6000	8 -15	300
HGEPUBR042	1 ¼"	DN32	42.1	M10	93	50	6000	8 -15	250
HGEPUBR048	1 ½"	DN40	48.2	M10	100	50	6000	8 -15	225
HGEPUBR060	2"	DN50	60.3	M10	110	50	6000	8 -15	200
HGEPUBR073	2 ½"	DN65	73	M12	127	50	10000	8 -15	150
HGEPUBR090	3"	DN80	88.9	M12	140	50	10000	8 -15	100
HGEPUBR114	4"	DN100	114.3	M12	165	50	10000	8 -15	80
HGEPUBR141	5"	DN125	141.3	M12	190	50	10000	8 -15	70
HGEPUBR168	6"	DN150	168.3	M12	220	50	10000	8 -15	60
HGEPUBR219	8"	DN200	219.1	M16	295	75	20000	8 -15	40
HGEPUBR273	10"	DN250	273	M20	370	100	32500	8 -15	20
HGEPUBR323	12"	DN300	323.8	M20	420	100	32500	8 -15	20
HGEPUBR356	14"	DN350	355.6	M20	455	100	32500	8 -15	5
HGEPUBR406	16"	DN400	406.4	M20	505	100	32500	8 -15	5
HGEPUBR457	18"	DN450	457.2	M24	555	100	45000	8 -15	5
HGEPUBR508	20"	DN500	508.2	M24	605	100	45000	8 -15	5
HGEPUBR610	24"	DN600	609.6	M24	710	100	45000	8 -15	5

NOTE:- 1. ALTERNATE ROD SIZES FOR DIFFERENT PIPE SIZES AVAILABLE ON REQUEST.

