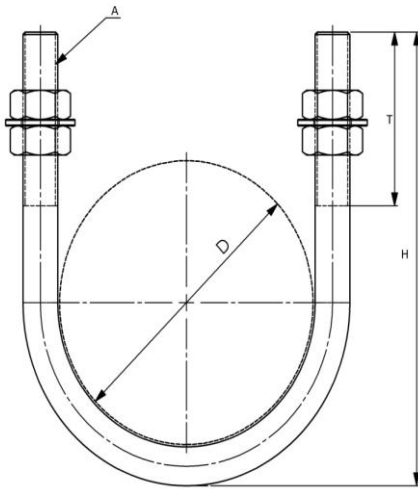




## U BOLT



### FEATURES AND BENEFITS.

<b>Description:-</b>	<ul style="list-style-type: none"> <li>* High load capacity due to one piece design.</li> <li>* Special U bolts with longer tangents and threads available on request.</li> </ul>
<b>Material:-</b>	Steel, other materials on request.
<b>Special:-</b>	<ul style="list-style-type: none"> <li>* Electro galvanized as per ASTM B 633.</li> <li>* Galvanized as per ASTM A 123 / A 123M.</li> <li>* Designed to meet MSS Standard SP-58, type 24 and SP-69.</li> </ul>

Product Code	Nominal Pipe Size In.	Pipe OD (D) mm	Rod Size (A) mm	Height (H) mm	Thread Length (T) mm	Max Load (N)	Box Quantity	
HGEPUB022	½"	DN15	21.3	M10	65	50	6000	400
HGEPUB027	¾"	DN20	26.7	M10	77	50	6000	350
HGEPUB034	1"	DN25	33.4	M10	85	50	6000	300
HGEPUB042	1 ¼"	DN32	42.1	M10	93	50	6000	250
HGEPUB048	1 ½"	DN40	48.2	M10	100	50	6000	225
HGEPUB060	2"	DN50	60.3	M10	110	50	6000	200
HGEPUB073	2 ½"	DN65	73	M12	127	50	10000	150
HGEPUB090	3"	DN80	88.9	M12	140	50	10000	100
HGEPUB114	4"	DN100	114.3	M12	165	50	10000	80
HGEPUB141	5"	DN125	141.3	M12	190	50	10000	70
HGEPUB168	6"	DN150	168.3	M12	220	50	10000	60
HGEPUB219	8"	DN200	219.1	M16	295	75	20000	40
HGEPUB273	10"	DN250	273	M20	370	100	32500	20
HGEPUB323	12"	DN300	323.8	M20	420	100	32500	20
HGEPUB356	14"	DN350	355.6	M20	455	100	32500	5
HGEPUB406	16"	DN400	406.4	M20	505	100	32500	5
HGEPUB457	18"	DN450	457.2	M24	555	100	45000	5
HGEPUB508	20"	DN500	508.2	M24	605	100	45000	5
HGEPUB610	24"	DN600	609.6	M24	710	100	45000	5

**NOTE:-** 1. SIZES OF THE U BOLTS CAN BE MODIFIED TO BE USED WITH RUBBER SUPPORT INSERTS.

2. ALTERNATE ROD SIZES FOR DIFFERENT PIPE SIZES AVAILABLE ON REQUEST.

3. a. EP - MICRONS : 8μ - 15μ

b. HDG - MICRONS : 70μ - 95μ

