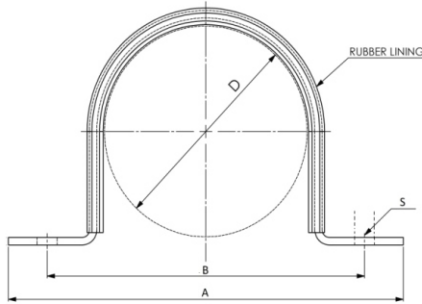




U STRAP WITH RUBBER LINING.



FEATURES AND BENEFITS.

Description:-	<ul style="list-style-type: none"> * For mounting plain or insulated pipes. * Can be used with Rubber Support Inserts. * Slotted hole s a me as used u strap.
Material:-	Steel, other materials on request.
Special:-	<ul style="list-style-type: none"> * Electro galvanized as per ASTM B 633. * Galvanized as per ASTM A 123 / A 123M. * Temperature resistance from -20 °C to +110 °C. * Noise reduction up to 18 dB (A). * Designed to meet MSS Standard SP-58, type 26 and SP-69.

Product Code	Nominal Pipe Size In.	Pipe OD (D) mm	Overall Dimension (A) mm	Distance Between Two Bolt (B) mm	Hole Size (S) mm	Max Load (N)	Box Quantity	
HGEPUSR022	½"	DN15	21.3	78	54	M11	4000	500
HGEPUSR027	¾"	DN20	26.7	83	59	M11	4000	400
HGEPUSR034	1"	DN25	33.4	90	66	M11	4000	400
HGEPUSR042	1 ¼"	DN32	42.1	99	75	M11	4000	350
HGEPUSR048	1 ½"	DN40	48.2	104	80	M11	5000	300
HGEPUSR054	-	54	112	87	M11	5000	250	
HGEPUSR060	2"	DN50	60.3	118	93	M11	5000	200
HGEPUSR073	2 ½"	DN65	73	131	106	M11	6000	150
HGEPUSR090	3"	DN80	88.9	151	126	M11	6000	150
HGEPUSR101	3 ½"	DN90	101.6	163	138	M11	6000	150
HGEPUSR110	-	110	172	147	M11	6000	125	
HGEPUSR114	4"	DN100	114.3	176	151	M11	6000	125
HGEPUSR141	5"	DN125	141.3	203	178	M11	6000	100
HGEPUSR155	-	160	222	197	M11	6000	100	
HGEPUSR168	6"	DN150	168.3	240	210	M13	8000	100
HGEPUSR219	8"	DN200	219.1	291	261	M13	8000	50
HGEPUSR273	10"	DN250	273	369	329	M13	12500	30
HGEPUSR323	12"	DN300	323.8	420	380	M13	12500	30
HGEPUSR356	14"	DN350	355.6	456	416	M17	18000	10
HGEPUSR406	16"	DN400	406.4	506	466	M17	18000	10
HGEPUSR457	18"	DN450	457.2	581	531	M21	18000	5
HGEPUSR508	20"	DN500	508.2	632	582	M21	18000	5
HGEPUSR610	24"	DN600	609.6	734	684	M21	18000	5

NOTE:- 1. OTHER DIMENSIONS AVAILABLE ON REQUEST.

2. a. EP - MICRONS: 8μ - 15μ.

b. HDG - MICRONS : 70μ - 95μ.

