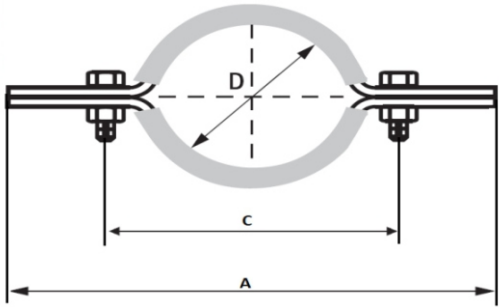




RISER HANGER RUBBER LINING

FEATURES AND BENEFITS.

Description:-	<ul style="list-style-type: none"> * Designed to act as a rigid support or guide for vertical pipes. * Suitable for use with all types of pipes.
Material:-	Steel, other materials on request.
Special:-	<ul style="list-style-type: none"> * Electro galvanized as per ASTM B 633. * Designed to meet MSS Standard SP-58-2002, type 8 and SP-69. * Temperature resistance from -20 °C to +110 °C * Noise insulating lining, EPDM, black. * Noise reduction up to 18dB (A).



Product Code	Nominal Pipe Size		Pipe OD (D) mm	Total length (A) mm	Length Between Bolts (C)mm	Hole Size mm	Max Load (N)	Microns (μ)	Box Quantity
	In.	mm							
HGEPRHR022	½"	DN15	21.3	216	59	11	4000	8-15	50
HGEPRHR027	¾"	DN20	26.7	227	68	11	4000	8-15	50
HGEPRHR034	1"	DN25	33.4	227	71	11	4000	8-15	50
HGEPRHR042	1 ¼"	DN32	42.1	240	83	11	4000	8-15	50
HGEPRHR048	1 ½"	DN40	48.2	251	96	11	4000	8-15	50
HGEPRHR060	2"	DN50	60.3	260	106	11	4000	8-15	40
HGEPRHR073	2 ½"	DN65	73	280	124	11	6500	8-15	40
HGEPRHR090	3"	DN80	88.9	298	140	11	6500	8-15	30
HGEPRHR114	4"	DN100	114.3	321	165	13	8000	8-15	20
HGEPRHR141	5"	DN125	141.3	330	168	13	8000	8-15	15
HGEPRHR168	6"	DN150	168.3	368	210	13	11000	8-15	10
HGEPRHR219	8"	DN200	219.1	406	244	17	11000	8-15	5
HGEPRHR273	10"	DN250	273.1	464	311	17	15000	8-15	1
HGEPRHR323	12"	DN300	323.8	524	371	17	15000	8-15	1
HGEPRHR355	14"	DN350	355.6	581	435	17	17500	8-15	1
HGEPRHR406	16"	DN400	406.4	622	464	17	17500	8-15	1
HGEPRHR457	18"	DN450	457.2	686	533	21	17500	8-15	1
HGEPRHR508	20"	DN500	508	750	600	21	22000	8-15	1
HGEPRHR610	24"	DN600	609.6	850	700	21	27000	8-15	1

NOTE:- 1. CUSTOMIZED DIMENSIONS AVAILABLE ON REQUEST.

